

# SUPPORT GUIDE

## Nº 5105

High-Performance Turntable

A statement piece for vinyl lovers



## **Overview**

- First-class analog source designed for the 5000 series phono stage
- Integrated electronic speed control for precision 33 and 45 RPM performance at the touch of a button
- Solid aluminum chassis with exceptional damping properties
- Optimized drive system with belt drive motor
- Adjustable aluminum feet, each with a mixed-material internal suspension system
- 10-inch high gloss black carbon fiber tonearm fixed to a solid aluminum headshell with an integrated finger lift
- Solid aluminum platter
- Integrated bubble level

### **First Class Custom Design**

For nearly 50 years, discerning individuals have chosen Mark Levinson products for their luxurious beauty and revealing sound. Robust materials, lavish finishes, bold geometry, and outstanding performance are celebrated attributes of the Mark Levinson brand. The N° 5105 is a premium precision-engineered turntable that delivers on that reputation with an original custom design.

### **Premium Materials**

With its elegant motif, the N° 5105 blends lustrous elements intrinsic to the acclaimed 5000 series while introducing new material combinations essential for its exceptional performance. No detail has been overlooked.

Like its 5000 series companions, the N° 5105 features one-inch thick, bead-blasted, black-anodized, solid aluminum front panels that are machined and contoured to flow seamlessly into the sleek glass display. The tinted glass is recessed into the bead-blasted, clear-anodized aluminum bezel, with aluminum speed and standby control buttons to match. The iconic Mark Levinson hourglass knob design makes a cameo as a record weight; bead-blasted machined aluminum with a gently curved profile, mass-loaded with solid brass. This silhouette is echoed in the custom aluminum tonearm gimbal housing.



## Outstanding Analog Source

Created for the discriminating analog music lover, the № 5105 is the perfect complement to the 5000 series phono stage included in the № 5805 integrated amplifier and № 5206 preamplifier. The № 5105 turntable is available either with or without a factory installed moving coil phono cartridge.

## Refined Detail

The custom 10-inch high gloss black carbon fiber tonearm tube is fixed to a solid aluminum headshell with an integrated finger lift. An integrated bubble level aids in deck leveling.

## Unrivald Build Quality

A 14-lb solid aluminum platter suspended on a ground hardened steel axle rotating on ultra-precise bearing. An oil-free bearing bottom made of a mix of composite material with integrated lubrication and a maintenance-free brass sintered bush bearing ensure reliable operation for years to come.

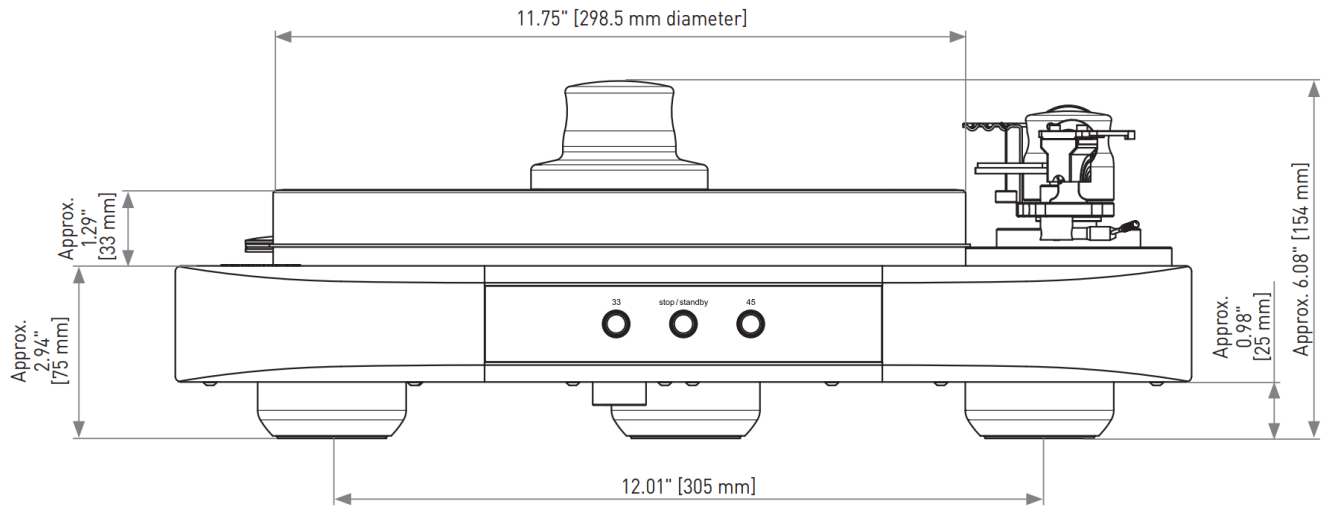
The nearly two-inch-thick solid aluminum plinth is machined from a single billet and is suspended on three adjustable aluminum feet, each with a missed-material internal suspension system.

## Optimized Drive System

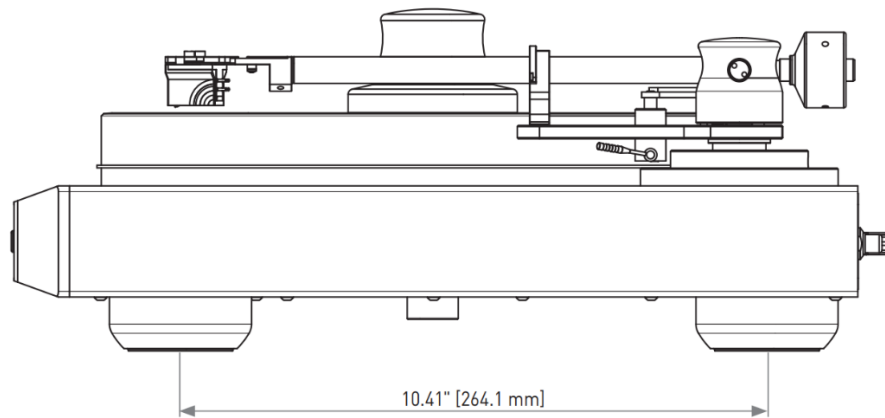
The 12V synchronous motor's digital control circuit generates nearly no heat; therefore, no temperature drift, ensuring speed stability and low wow and flutter. The integrated wide-range power supply is designed for global use with 90-260 VAC and four included AC cables.

## Overall Dimensions and Specifications

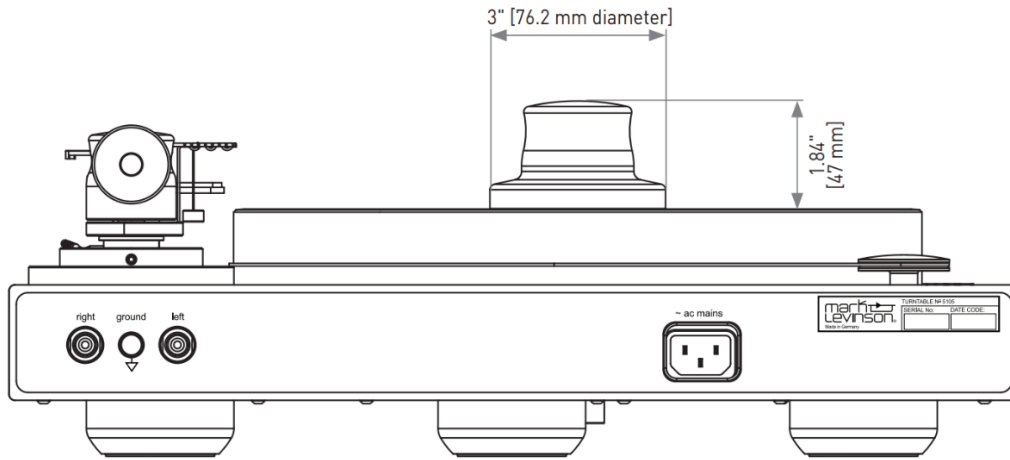
Front View



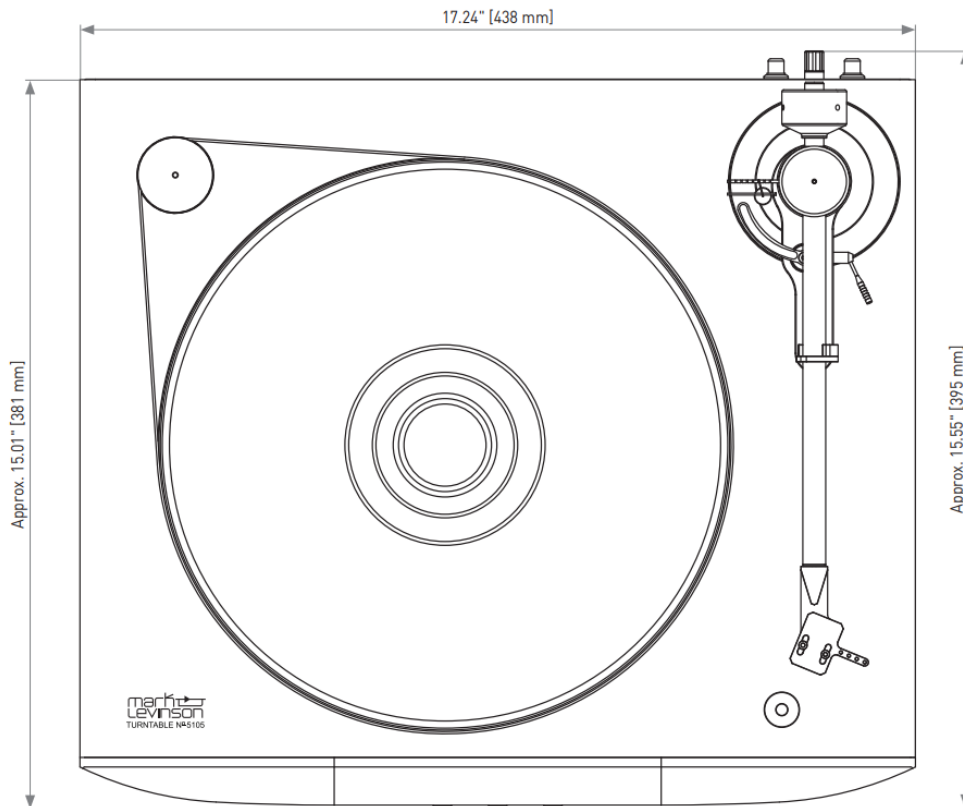
Right View



Rear View



Top View



## **Support Overview**

### **General Information**

Brand: Mark Levinson  
Product Category: Source Device  
Product Type: Turntable  
Model: № 5105  
SAP SKU: MLN05105 & MLN05105MC (with and without pre-installed cartridge)

### **Dates and Notes**

Introduction Year: 2020  
EOL: Current  
Service End: EOL+7  
Note: Built at Acoustic Signature in Germany

### **Support Instructions**

Support Type: Service first. If parts needed to service and not available, then pair with L3 for replacement options.

### **Key Points**

#### **Included in box:**

Alignment template  
Record weight  
Power cords  
Anti-Skating weight  
Bearing oil  
Belt  
12" LP jacket containing the manual and platter mat

Break-in Time: 20 hours

The № 5105 is a fully manual turntable. This not only refers to the operation of the tonearm to play the record, but also in the setup of the turntable. Please keep in mind the following thing with regards to manual setup:

- Tonearm counterweight needs to be set using a stylus pressure gauge, as it does not have any measurement notches or numbers on it.
- The calibration measurements, such as VTA, SRA and Azimuth must be set manually using calibration instruments and alignment tools (not provided in box).

## Bill of Materials

### SERVICE BILL OF MATERIAL

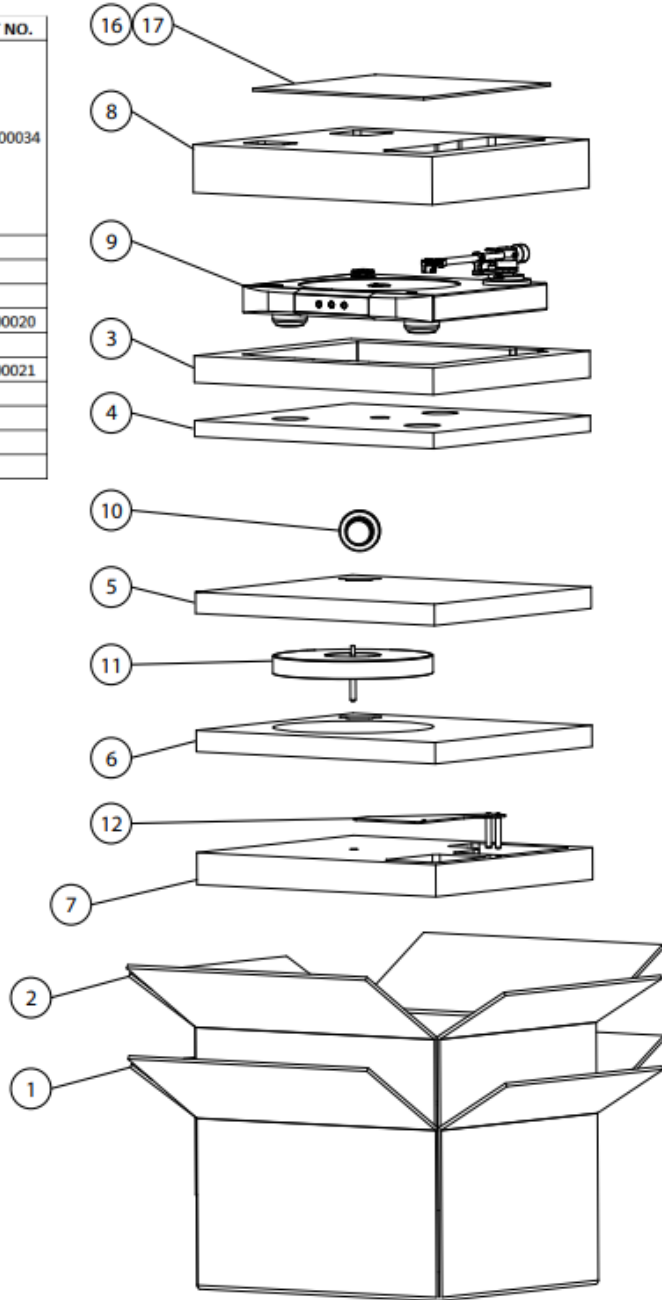
ITEM	PART NO.	QTY	DESCRIPTION
1	750-00015	1	BEARING SLEEVE ASSEMBLY
2	750-00016	1	MOTOR
3	630-00005	1	PLATTER MAT
4	701-00022	1	MOTOR CLAMP
5	750-00017	3	FOOT ASSEMBLY
6	750-00018	1	TONEARM ASSEMBLY
7	550-00006	1	RECORD WEIGHT
8	021-00031	1	OUTPUT PCB ASSEMBLY
9	625-00012	1	PULLEY
10	750-00019	1	PLATTER ASSEMBLY
11	540-00002	1	DRIVE BELT
12	021-00032	1	MOTOR CONTROL PCB ASSY
13	021-00033	1	FRONT PANEL PCB ASSY
14	625-00013	1	BUBBLE LEVEL
15	380-00002	1	POWER SUPPLY
16	550-50175	3	BUTTON
17	625-50155	3	LIGHT RING
18	510-00023	1	GROUND BINDING POST
<b>MODELS WITH INCLUDED CARTRIDGE ONLY</b>			
19	750-00011	1	ORTOFON MC QUINTET BLACK S CARTRIDGE





## Packaging

ITEM	DESCRIPTION	QTY.	PART NO.
1	OUTER CARTON	1	
2	INNER CARTON	1	
3	FOAM INSERT 1	1	
4	FOAM INSERT 2	1	
5	FOAM INSERT 3	1	021-00034
6	FOAM INSERT 4	1	
7	FOAM INSERT 5	1	
8	FOAM INSERT 6	1	
9	TURNTABLE WITH TONEARM	1	
10	RECORD WEIGHT	1	
11	PLATTER ASSEMBLY	1	
12	ALIGNMENT GAUGE	1	750-00020
13	DRIVE BELT	1	
14	ANTI-SKATE WEIGHT	1	750-00021
15	BEARING OIL	1	
16	OWNER'S MANUAL	1	
17	PLATTER MAT	1	
18	POWER CORD	1	



## **Common Issues & Resolutions**

**Issue:** Cannot start turntable at 45rpm speed from full stop. When 45rpm button is selected from the front panel of the unit, the record platter will not spin and the motor will just start to vibrate without spinning the belt.

**Resolution:** The N° 5105 cannot be started at 45rpm right away. To use 45rpm speed, 33rpm must first be selected. Once the platter begins to spin and gets to 33rpm, then 45rpm can be selected from the front panel of the unit.

**Relevant Part Number:**

N/A

---

**Issue:** No matter what speed is selected first, the platter will not spin and the motor will just vibrate without spinning the belt and platter.

**Resolution:** There are a few possible causes of this issue. The first is possibly a bad motor. The second is an uneven spindle on the platter. The third is an unsmooth surface inside of the bearing sleeve assembly. Any one of these things can cause the platter to not be able to spin. If this occurs, the unit must be sent to service, tested there and fixed.

**Relevant Part Numbers:**

Motor: 750-00016

Platter Assembly: 750-00019

Bearing Sleeve Assembly: 750-00015

---

**Issue:** The tonearm lifter is leaking fluid.

**Resolution:** If the tonearm lifter is leaking fluid out of its enclosure, then that means the tonearm lifter will slowly become inoperable. Since the tonearm lifter cannot be changed out on its own, an entire new Tonearm Assembly must be fitted to the unit. If this leaking occurs, the unit must be sent into service to have the replacement done on the assembly.

**Relevant Part Numbers:**

Tonearm Assembly: 750-00018

